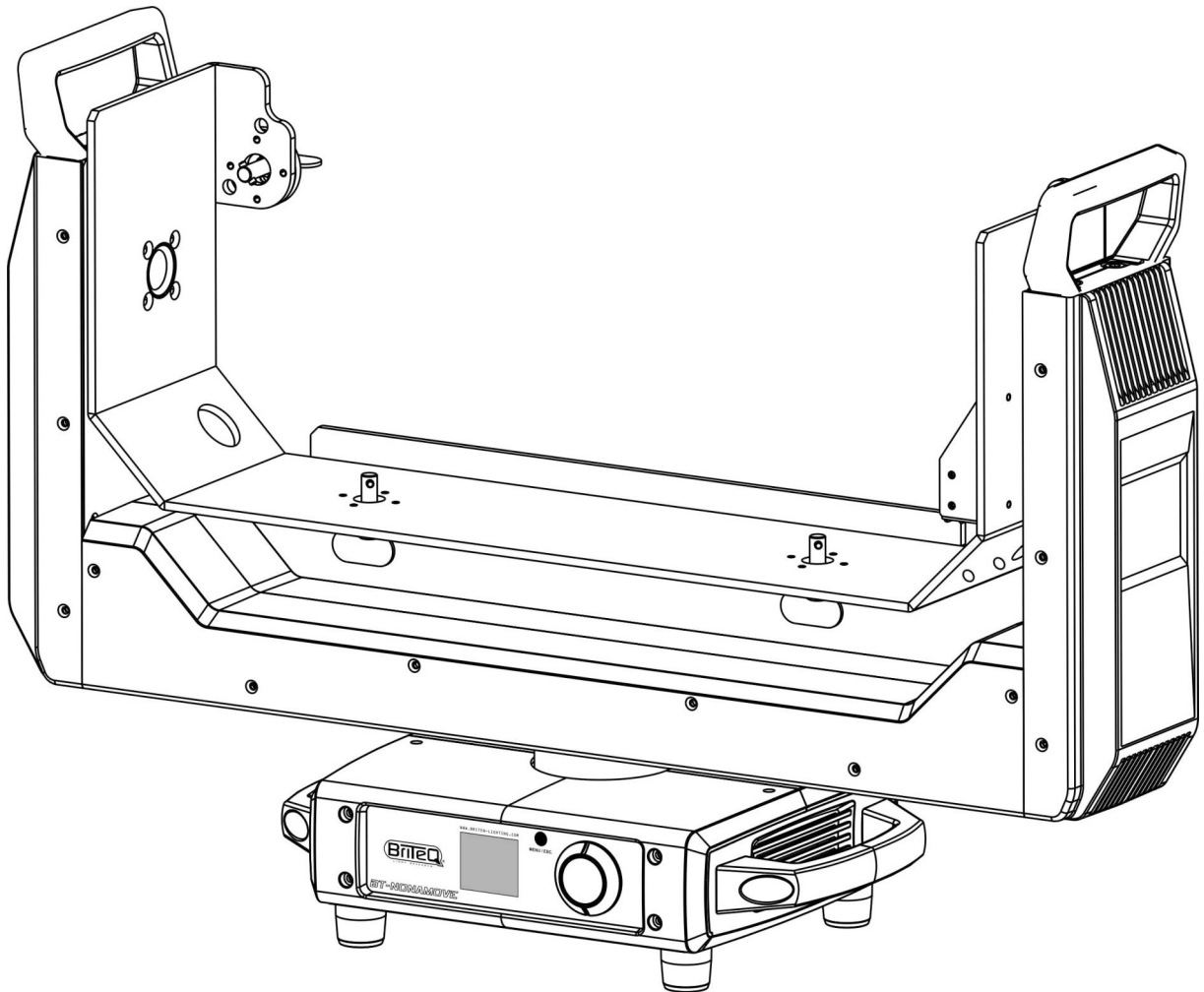


# BT-NONAMOVE



## ENGLISH Operation Manual

Other languages can be downloaded from:  
[WWW.BRITEQ-LIGHTING.COM](http://WWW.BRITEQ-LIGHTING.COM)

CE

Version: 1.0

**Briteq**<sup>®</sup>  
LIGHT RESEARCH



### **EN - DISPOSAL OF THE DEVICE**

Dispose of the unit and used batteries in an environment friendly manner according to your country regulations.

### **FR - DÉCLASSER L'APPAREIL**

Débarrassez-vous de l'appareil et des piles usagées de manière écologique Conformément aux dispositions légales de votre pays.

### **NL - VERWIJDEREN VAN HET APPARAAT**

Verwijder het toestel en de gebruikte batterijen op een milieuvriendelijke manier conform de in uw land geldende voorschriften.

### **DU - ENTSORGUNG DES GERÄTS**

Entsorgen Sie das Gerät und die Batterien auf umweltfreundliche Art und Weise gemäß den Vorschriften Ihres Landes.

### **ES - DESHACERSE DEL APARATO**

Reciclar el aparato y pilas usadas de forma ecologica conforme a las disposiciones legales de su país.

### **PT - COMO DESFAZER-SE DA UNIDADE**

Tente reciclar a unidade e as pilhas usadas respeitando o ambiente e em conformidade com as normas vigentes no seu país.

# OPERATION MANUAL

Thank you for buying this Briteq® product. To take full advantage of all possibilities and for your own safety, please read these operating instructions very carefully before you start using this unit.

## FEATURES

- This new moving yoke unleashes totally new potential for the already very impressive BT-NONABEAM!
- It turns the static BT-NONABEAM into an extremely powerful moving show projector, ready for the biggest shows on the planet!
- It takes less than a minute and no tools to install and configure the projector on the BT-NONAMOVE.
- No configurations needed: intelligent communication between both units ensures a seamless transformation into a completely new product.
- Extremely powerful 3-phase motors assure fast, noiseless and accurate 16bit PAN/TILT movements.
- Combined DMX-control for both units: 18 + 34 + 50 channels. (+ special 5ch mode for BT-NONAMIRROR)
- Advanced and fully transparent RDM-communication.
- An optional MIRROR-adapter turns the BT-NONAMOVE into a double-sided 46x20cm moving mirror:
  - **Front:** the high-polished mirror can reflect sharp light/laser beam in any direction.
  - **Back:** a diffuser reflector can produce soft, scattered reflections in any direction.
- Color screen with compact setup menu and encoder navigation.
- Thanks to a gravity sensor the display is always correctly oriented.
- Easy daisy chaining: 3pin & 5pin + Neutrik® PowerCON® TRUE-1 in/out.
- Equipped with omega brackets for fast installation

## BEFORE USE

- Before you start using this unit, please check if there's no transportation damage. Should there be any, do not use the device and consult your dealer first.
- **Important:** This device left our factory in perfect condition and well packaged. It is absolutely necessary for the user to strictly follow the safety instructions and warnings in this user manual. Any damage caused by mishandling is not subject to warranty. The dealer will not accept responsibility for any resulting defects or problems caused by disregarding this user manual.
- Keep this booklet in a safe place for future consultation. If you sell the fixture, be sure to add this user manual.

### Check the contents:

Check that the carton contains the following items:

- 1x BT-NONAMOVE
- 2x Omega bracket BIG
- 1x Safety cable 45cm
- 1x Safety cable 70cm
- 1x Power cable
- 1x Operating instructions

## SAFETY INSTRUCTIONS:



**CAUTION**  
RISK OF ELECTRIC SHOCK  
DO NOT OPEN



**CAUTION:** To reduce the risk of electric shock, do not remove the top cover. No user-serviceable parts inside. Refer servicing to qualified service personnel only.



The lightning flash with arrowhead symbol within the equilateral triangle is intended to alert the user to the presence of un-insulated "dangerous voltage" within the product's enclosure that may be of sufficient magnitude to constitute a risk of electric shock.



The exclamation point within the equilateral triangle is intended to alert the user to the presence of important operation and maintenance (servicing) instructions in the literature accompanying this appliance.



This symbol means: indoor use only



This symbol means: Read instructions



The device is not suitable for direct mounting on normally flammable surfaces. (suitable only for mounting on non-combustible surfaces)

**RISK GROUP 2**  
**CAUTION:**  
Do not stare at operating lamp

**CAUTION:** Do not stare at operating lamp.  
May be harmful to the eyes.

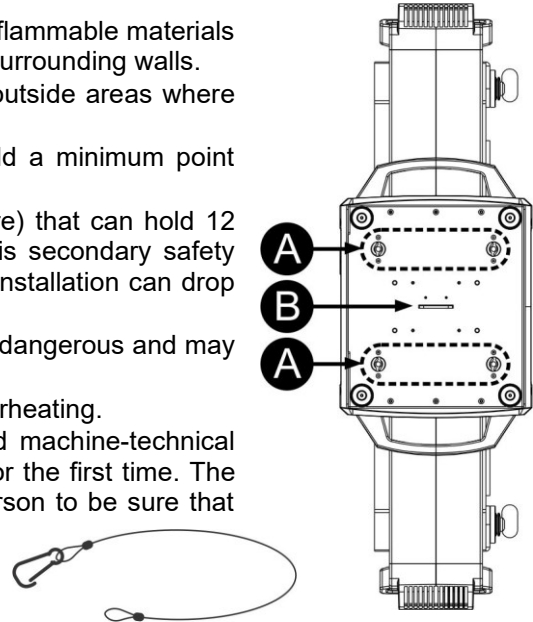
- To protect the environment, please try to recycle the packing material as much as possible.
- To prevent fire or shock hazard, do not expose this appliance to rain or moisture.
- To avoid condensation to be formed inside, allow the unit to adapt to the surrounding temperatures when bringing it into a warm room after transport. Condense sometimes prevents the unit from working at full performance or may even cause damages.
- This unit is for indoor use only.
- Don't place metal objects or spill liquid inside the unit. Electric shock or malfunction may result. If a foreign object enters the unit, immediately disconnect the mains power.
- Locate the fixture in a well-ventilated spot, away from any flammable materials and/or liquids. The fixture must be fixed at least 50cm from surrounding walls.
- Don't cover any ventilation openings as this may result in overheating.
- Prevent use in dusty environments and clean the unit regularly.
- Keep the unit away from children.
- Inexperienced persons should not operate this device.
- Maximum safe ambient temperature is 40°C. Don't use this unit at higher ambient temperatures.
- Make sure the area below the installation place is free from unwanted persons during rigging, de-rigging and servicing.
- Allow the device about 10 minutes to cool down before to start servicing.
- Always unplug the unit when it is not used for a longer time or before to start servicing.
- The electrical installation should be carried out by qualified personal only, according to the regulations for electrical and mechanical safety in your country.
- Check that the available voltage is not higher than the one stated on the unit.
- The power cord should always be in perfect condition. Switch the unit immediately off when the power cord is squashed or damaged. It must be replaced by the manufacturer, its service agent or similarly qualified persons in order to avoid a hazard.
- Never let the power-cord come into contact with other cables!
- This fixture must be earthed in order to comply with safety regulations.
- Don't connect the unit to any dimmer pack.
- Always use an appropriate and certified safety cable when installing the unit.
- In order to prevent electric shock, do not open the cover. There are no user serviceable parts inside.
- **Never** repair a fuse or bypass the fuse holder. **Always** replace a damaged fuse with a fuse of the same type and electrical specifications!
- In the event of serious operating problems, stop using the fixture and contact your dealer immediately.
- The housing and the lenses must be replaced if they are visibly damaged.
- Please use the original packing when the device is to be transported.
- Due to safety reasons it is prohibited to make unauthorized modifications to the unit.

**Important:** Never look directly into the light source! Don't use the effect in the presence of persons suffering from epilepsy.

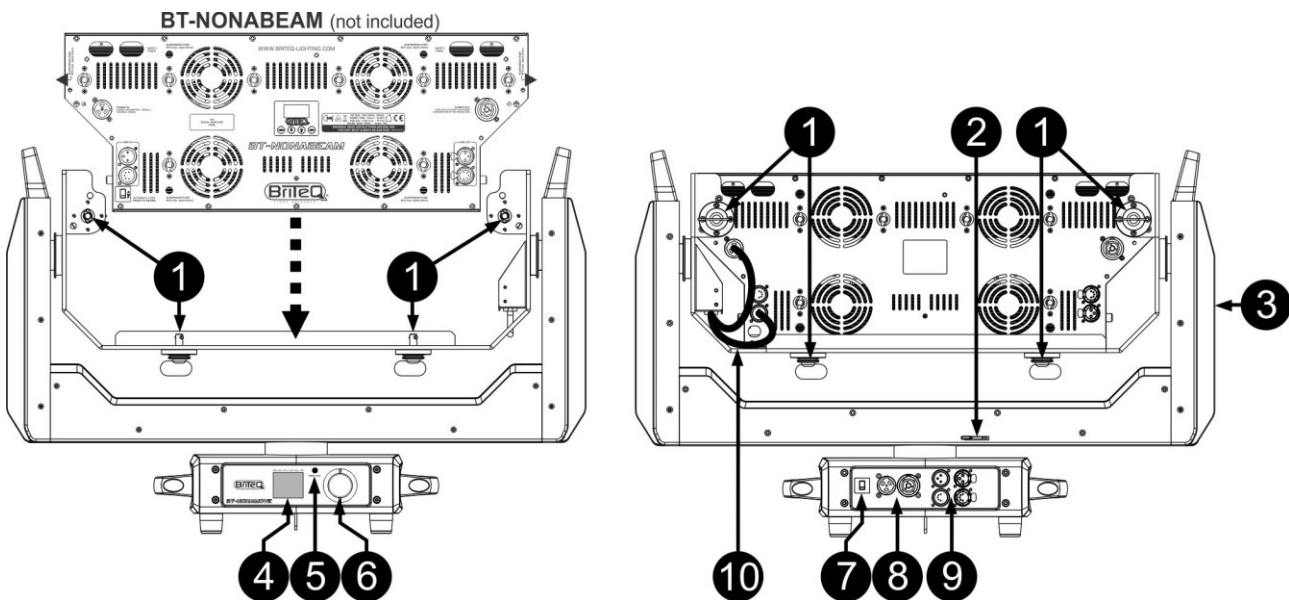
# OVERHEAD RIGGING

- **Important:** The installation must be carried out by qualified service personal only. Improper installation can result in serious injuries and/or damage to property. Overhead rigging requires extensive experience! Working load limits should be respected, certified installation materials should be used, the installed device should be inspected regularly for safety.
- Make sure the area below the installation place is free from unwanted persons during rigging, de-rigging and servicing.
- Locate the fixture in a wellventilated spot, far away from any flammable materials and/or liquids. The fixture must be fixed **at least 50cm** from surrounding walls.
- The device should be installed out of reach of people and outside areas where persons may walk by or be seated.
- Before rigging make sure that the installation area can hold a minimum point load of 10times the device's weight.
- Always use a certified safety cable (number 3 on the picture) that can hold 12 times the weight of the device when installing the unit. This secondary safety attachment should be installed in a way that no part of the installation can drop more than 20cm if the main attachment fails.
- The device should be well fixed; a free-swinging mounting is dangerous and may not be considered!
- Don't cover any ventilation openings as this may result in overheating.
- The operator has to make sure that the safety-relating and machine-technical installations are approved by an expert before using them for the first time. The installations should be inspected every year by a skilled person to be sure that safety is still optimal.

- A. Holes to fix the special omega brackets (included)
- B. Hole to fix an optional safety cable



# DESCRIPTION

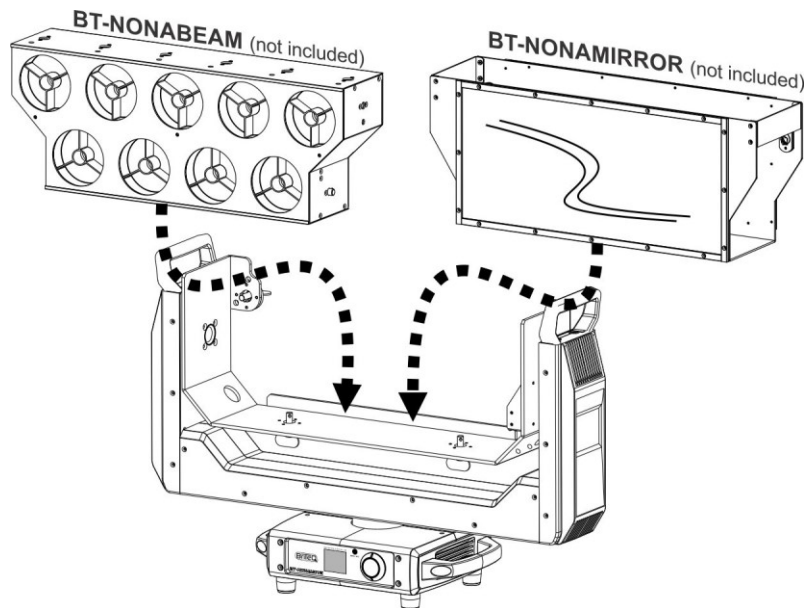


1. **QUICK LOCK:** with these 4 quick lock connectors the BT-NONABEAM can be installed very fast.
2. **PAN LOCK:** locks the PAN-movement every 45° during transport.
3. **TILT LOCK:** locks the TILT-movement every 45° during transport and installation of BT-NONABEAM.  
**→ IMPORTANT: ALWAYS UNLOCK PAN & TILT LOCKS BEFORE SWITCHING THE UNIT ON ←**
4. **DISPLAY:** shows the various menus and the selected functions. Thanks to a gravity sensor the display rotates automatically in the right direction.
5. **[MENU / ESC] button:** Press to enter the setup menu or jump to the higher menu level.
6. **ROTARY ENCODER:** turn the wheel in both directions to browse the menu items. Press the wheel to select an item.

7. **MAINS FUSE:** protects the unit in case of electrical problems, press the button to re-arm if needed!
8. **MAINS IN / OUTPUT:** with PowerCON® TRUE1 connectors. Connect the supplied mains cable here, you can daisy chain up to max. 3 units. Input and output are connected to each other without any fuse.  
*Hint: Please check our website for special cable assemblies that contain both power (3x1.5mm<sup>2</sup> with Neutrik PowerCON®) and balanced signal (XLR 3pin or 5pin) in one cable. Different lengths are available: 1.3m, 3m, 5m and 10m, very convenient!*
9. **DMX IN/OUTPUTS:** used for DMX512 linking, you can use good quality balanced signal cables with 3pin or 5pin XLR-connectors.
10. **DMX + POWER LINK:** used to connect the installed BT-NONABEAM to the BT-NONAMOVE. Once connected they will act as a completely different product with new specs and DMX-charts.

## INSTALLING THE PROJECTOR:

The BT-NONAMOVE is designed to easily and quickly install the BT-NONABEAM or BT-NONAMIRROR.



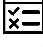





Installation is VERY easy and fast:

- Tilt the installation frame of BT-NONAMOVE over 45° to the back to be sure that all four quick locks (1) are easily accessible and lock it in that position with the TILT lock (3).
- Place the BT-NONABEAM or BT-NONAMIRROR in the frame.
- Turn the four quick locks (1) clockwise over 90° to fix the unit in the frame.
- **BT-NONAMIRROR:** make sure that the DMX + POWER LINK cables (10) are fixed inside the mirror.
- **BT-NONABEAM:** connect the DMX + POWER LINK cables (10) to the BT-NONABEAM
- Done!

# SETUP MENU

The setup menu of the BT-NONAMOVE is deliberately kept very small to allow quick installation with less risk of incorrect settings. The display of the installed BT-NONABEAM is not used: internal communication with the BT-NONAMOVE assures that all settings and information are handled by the BT-NONAMOVE. Some of the specific settings for BT-NONABEAM can be set through its control channel.

- Press the [MENU/ESC] button to enter the setup menu.
- Turn the encoder wheel to browse the main menus:
  -  [SET CONFIG]
  -  [INFORMATION]
  -  [TEST]
- Press the encoder wheel to select the desired sub menu.
- Turn the encoder wheel to browse the sub menus & items.
- Press the encoder wheel to select the desired menu item.
- Turn the encoder wheel to change the parameters.
- Press the encoder wheel to confirm the new parameters.
- Press the [MENU/ESC] button jump to a higher menu level.

SET CONFIG 	DMX-Address	001 - XXX	
	CHAN. Mode	05CH	
		18CH	
		34CH	
		50CH	
DISPLAY	Auto lock	ON /OFF	
	noDMX blink	ON /OFF	
	Temp C/F	Celcius/Fahrenheit	
INFORMATION 	TIMERS	Total Time	xxxx Hrs
		Last JOB	xxxx Hrs
	PIXEL Temp.	xxx °C / °F	
	RGB Temp.	xxx °C / °F	
	ERROR info	xxxxxxxx	
	DMX values	PAN, TILT, ...	
	Model Name	BT-NONAMOVE	
	Firmware V.	V x.xx	
TEST / RESET 	Reset	PAN/TILT	

## [SET CONFIG] menu

Menu with all functions needed to setup the unit.

### [SET CONFIG > DMX-Address]

Used to set the starting address.

- Press the encoder wheel to select the desired menu item.
- Turn the encoder wheel to change the parameters.
- Press the encoder wheel to confirm.

*Remark: the installed BT-NONABEAM receives the corresponding DMX-address automatically.*

### [SET CONFIG > CHAN.Mode]

Used to set the desired channel setup mode.

- Press the encoder wheel to select the desired menu item.
- Turn the encoder wheel to select the desired option:
  - **05CH:** only yoke control: used while the BT-NONAMIRROR is installed
  - **18CH:** yoke control + 13CH mode is automatically selected on the installed BT-NONABEAM
  - **34CH:** yoke control + 29CH mode is automatically selected on the installed BT-NONABEAM
  - **50CH:** yoke control + 45CH mode is automatically selected on the installed BT-NONABEAM
- Press the encoder wheel to confirm.

### [SET CONFIG > DISPLAY > AUTO LOCK]

Used to lock the setup menu against unwanted altering of the settings.

- Press the encoder wheel to select the desired menu item.
- Turn the encoder wheel to select the desired option: [ON/OFF]
- Press the encoder wheel to confirm.

### [SET CONFIG > DISPLAY > noDMX blink]

Used to select if the display should blink or not when the DMX signal was lost.

- Press the encoder wheel to select the desired menu item.
- Turn the encoder wheel to select the desired option: [ON/OFF]
- Press the encoder wheel to confirm.

**[SET CONFIG > DISPLAY > Temp C/F]**

Used to select if the LED-temperature is shown in degrees Celcius [°C] or Fahrenheit [°F].

- Press the encoder wheel to select the desired menu item.
- Turn the encoder wheel to select the desired option: [Celcius / Fahrenheit]
- Press the encoder wheel to confirm.

**[INFORMATION] menu**

Menu with all functions related to information about the status of the fixture.

**[INFORMATION > TIMERS]**

Shows time related information.

- Turn and press the encoder wheel to show the information:
  - **[Total Time]** non resettable timer that shows the total working hours of the machine.
  - **[Last JOB]** resettable timer that shows the working hours during the last job.
- Press the encoder wheel or [MENU/ESC] button to return.

**[INFORMATION > PIXEL / RGB Temp.]**

Shows actual LED temperature information.

- Turn and press the encoder wheel to show the information.
- Press the encoder wheel or [MENU/ESC] button to return.

**[INFORMATION > ERROR Info]**

Shows actual ERROR information.

- Turn and press the encoder wheel to show the information.
- Press the encoder wheel or [MENU/ESC] button to return.

**[INFORMATION > DMX values]**

Shows actual DMX values received from the DMX-controller.

- Turn and press the encoder wheel to show the information, scroll down to see the values of all channels.
- Press the encoder wheel or [MENU/ESC] button to return.

**[INFORMATION > Model Name]**

Shows model name of the unit.

- Turn and press the encoder wheel to show the information.
- Press the encoder wheel or [MENU/ESC] button to return.

**[INFORMATION > Firmware V.]**

Shows actual firmware version information.

- Turn and press the encoder wheel to show the information:
  - 1U + 2U firmware versions of BT-NONAMOVE
  - Firmware version of the connected BT-NONABEAM
- Press the encoder wheel or [MENU/ESC] button to return.

**[TEST / RESET] menu****[TEST / RESET > Reset PAN/TILT]**

Used to force a [PAN/TILT] reset.

- Press the encoder wheel to select the desired menu item.
- Turn the encoder wheel to select the desired option.
- Press the encoder wheel to confirm.



## [CALIBRATION] menu

This is a hidden menu where you can fine-tune the offset of several functions. To access this menu do as follows: press the encoder for about 3seconds while you are in the SETUP menu (any option, not important). Now the calibration menu shows up:

- Turn and press the encoder wheel to select the desired menu item.
- Turn the encoder wheel to adjust the calibration.
- Press the encoder wheel to confirm.

Different calibrations can be done:

### [CALIBRATION > Reset JOB]

Used to reset the “Last job” timer (this timer whows how long the unit was used on the last job)

- Turn and press the encoder wheel to select the desired menu item.
- Turn the encoder wheel to select [NO/YES]

### [CALIBRATION > PAN / TILT]

Used to adjust the [PAN / TILT] home positions:

- Turn and press the encoder wheel to select the desired menu item.
  - [PAN]: offset PAN movements
  - [TILT]: offset TILT movements
- Turn the encoder wheel to adjust the calibration.
- Press the encoder wheel to confirm.

When all offset adjustments are done, press the [MENU/ESC] button to return to the regular setup menu.

## ELECTRICAL INSTALLATION

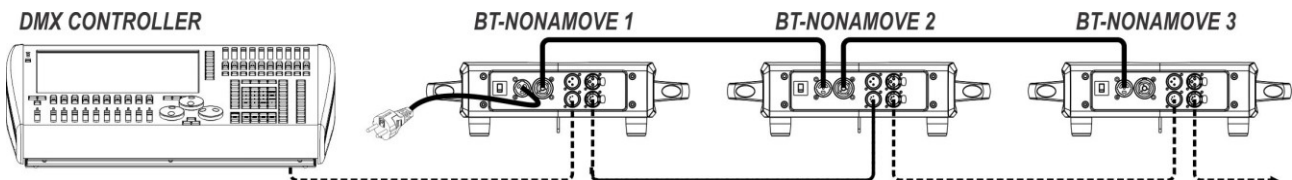


**Important:** The electrical installation should be carried out by qualified personal only, according to the regulations for electrical and mechanical safety in your country.

### ELECTRICAL INSTALLATION FOR TWO OR MORE UNITS IN DMX-MODE:

Use this function when you want to control the projectors by any DMX controller.

- Connect the projectors as shown in the drawing below.



### Some general information on DMX:

- The DMX-protocol is a widely used high speed signal to control intelligent light equipment. You need to “daisy chain” your DMX controller and all the connected units with a good quality balanced DMX-cable. Both XLR-3pin and XLR-5pin connectors are used, however XLR-3pin is more popular.
- Pin layout XLR-3pin: Pin1 = GND ~ Pin2 = Negative signal (-) ~ Pin3 = Positive signal (+)
- Pin layout XLR-5pin: Pin1 = GND ~ Pin2 = Negative signal (-) ~ Pin3 = Positive signal (+) ~ Pins4+5 not used.
- To prevent strange behavior of the light effects, due to interferences, you must use a 90Ω to 120Ω terminator at the end of the chain. Never use Y-splitter cables, this simply won't work!
- Make sure that all units are connected to the mains.
- Each unit in the chain has its proper starting address so it knows which commands from the controller it has to decode.

**DMX-CONFIGURATION:**

5CH	18CH	34CH	50CH	VALUES	FUNCTION	Remarks
1	1	1	1	000-255	PAN (0-100%)	
2	2	2	2	000-255	PAN FINE (0-100%)	
3	3	3	3	000-255	TILT (0-100%)	
4	4	4	4	000-255	TILT FINE(0-100%)	
5	5	5	5	000-220	PAN/TILT SPEED FAST TO SLOW	
				221-248	NOT USED	
				249	PAN/TILT RESET	
				250-255	NOT USED	
	6	6	6	<i>First channel of the BT-NONABEAM (follows automatically)</i>		
	...	...	...	...		
	18	34	50	<i>Last channel of the BT-NONABEAM channels</i>		

*Remark: the full DMX-configuration, including BT-NONABEAM, can be downloaded from our website.*

## RDM FUNCTIONS / REMOTE SETUP

RDM means “Remote Device Management”. This projector works with a brief set of RDM-functions which means that it can setup a bi-directional communication with an RDM-compatible DMX-controller. Some of these functions are briefly explained below, others will be added in the future.

- The DMX-controller sends out a “discovery command”, all RDM devices respond and send their unique device ID.
- The DMX-controller asks each RDM device for some basic data so it knows which devices are connected. The projector will respond:
  - **Device name:** BT-NONAMOVE
  - **Manufacturer:** Briteq®
  - **Category:** fixture moving yoke
  - **Firmware:** x.x.x.x (firmware version of the projector)
  - **DMX address:** xxx (current DMX start address of the projector)
  - **DMX footprint:** xx (number of DMX-channels used by the projector)
  - **Personality:** xx (current personality or DMX-working mode used by the projectors)
  - ...
- The DMX-controller can send certain commands to each RDM device which allow remote setup of the units. Thanks to this the projector can be setup remotely.

### The following functions can be managed remotely:

No more need to take a ladder and set all units one by one!

- **DMX START ADDRESS:** The start address can be set remotely from 001 to xxx.
- **PERSONALITY:** The DMX working mode (DMX-chart) can be set remotely.

These 2 functions make it possible to prepare a complete DMX-patch of all projectors on the DMX-controller and send these data to all projectors at once. More functions will be added later.

## MAINTENANCE

- Make sure the area below the installation place is free from unwanted persons during servicing.
- Switch off the unit, unplug the mains cable and wait until the unit is cooled down.

### During inspection the following points should be checked:

- All screws used for installing the device and any of its parts should be tightly fastened and may not be corroded.
- Housings, fixations and installations spots (ceiling, truss, suspensions) should be totally free from any deformation.
- When an optical lens is visibly damaged due to cracks or deep scratches, it must be replaced.
- The mains cables must be in impeccable condition and should be replaced immediately when even a small problem is detected.
- In order to protect the device from overheat the cooling fans (if any) and ventilation openings should be

cleaned monthly.

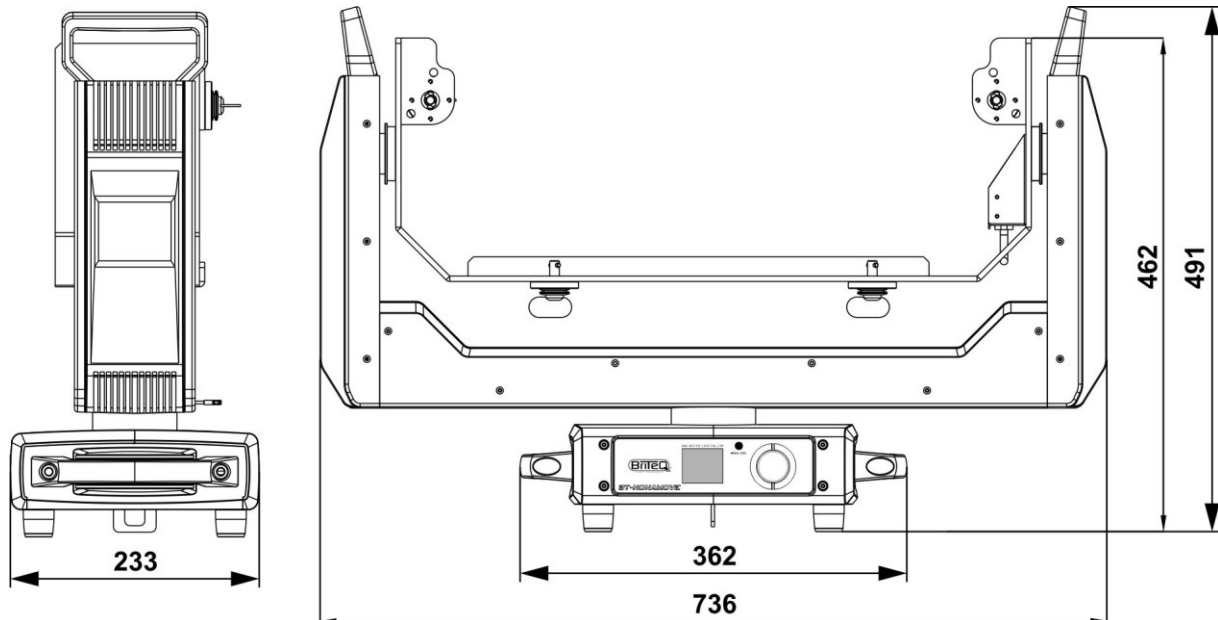
- The interior of the device should be cleaned annually using a vacuum cleaner or air-jet.
- The cleaning of internal and external optical lenses and/or mirrors must be carried out periodically to optimize light output. Cleaning frequency depends on the environment in which the fixture operates: damp, smoky or particularly dirty surroundings can cause greater accumulation of dirt on the unit's optics.
  - Clean with a soft cloth using normal glass cleaning products.
  - Always dry the parts carefully.
  - Clean the external optics at least once every 30 days.
  - Clean the internal optics at least every 90 days.

**Attention:** We strongly recommend internal cleaning to be carried out by qualified personnel!

## SPECIFICATIONS

This unit is radio-interference suppressed. This product meets the requirements of the current European and national guidelines. Conformity has been established and the relevant statements and documents have been deposited by the manufacturer.

<b>Mains Input:</b>	AC 90 - 240V, 50/60Hz
<b>Power consumption:</b>	200 Watt (max)
<b>Power Factor:</b>	0,95
<b>Fuse:</b>	250V 6A automatic fuse
<b>Power connections:</b>	PowerCon® TRUE1 - 14A Power linking capacity.
<b>DMX connections:</b>	Neutrik 3pin & 5pin-XLR male / female
<b>DMX channels used:</b>	5CH + 18CH + 34CH + 50CH
<b>PAN / TILT range:</b>	540° / 270°
<b>IP-Rating:</b>	IP20
<b>Operating temperature (T<sub>a</sub>):</b>	0°C to 45°C
<b>Size:</b>	see drawing
<b>Weight:</b>	13,5 kg



Every information is subject to change without prior notice

You can download the latest version of this user manual on our website: [www.briteq-lighting.com](http://www.briteq-lighting.com)



## MAILING LIST

**EN: Subscribe today to our mailing list for the latest product news!**

**FR: Inscrivez-vous à notre liste de distribution si vous souhaitez suivre l'actualité de nos produits!**

**NL: Abonneer je vandaag nog op onze mailinglijst en ontvang ons laatste product nieuws!**

**DE: Abonnieren Sie unseren Newsletter und erhalten Sie aktuelle Produktinformationen!**

**ES: Suscríbete hoy a nuestra lista de correo para recibir las últimas noticias!**

**PT: Inscreva-se hoje na nossa mailing list para estar a par das últimas notícias!**

**[WWW.BRITEQ-LIGHTING.COM](http://WWW.BRITEQ-LIGHTING.COM)**

**Copyright © 2020 by BEGLEC NV**

't Hofveld 2C ~ B1702 Groot-Bijgaarden ~ Belgium

Reproduction or publication of the content in any manner, without express permission of the publisher, is prohibited.